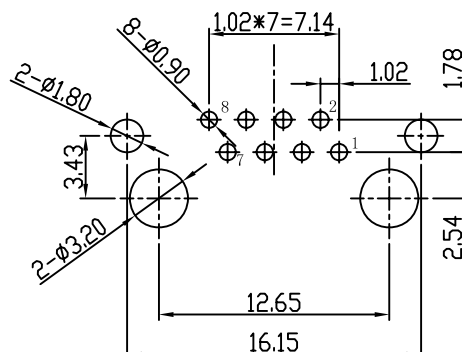
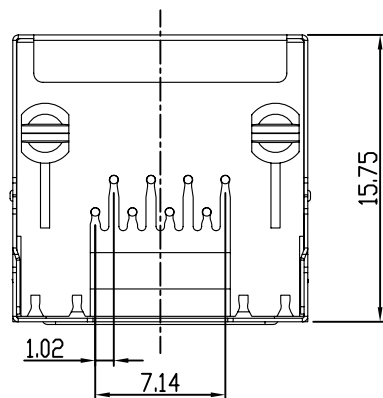
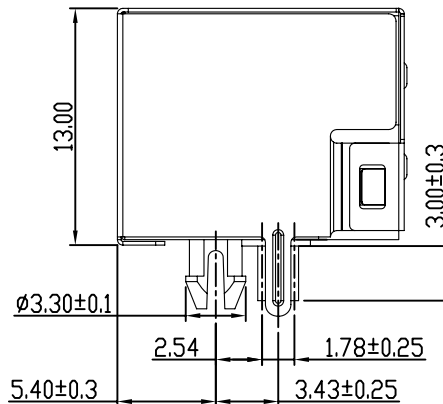
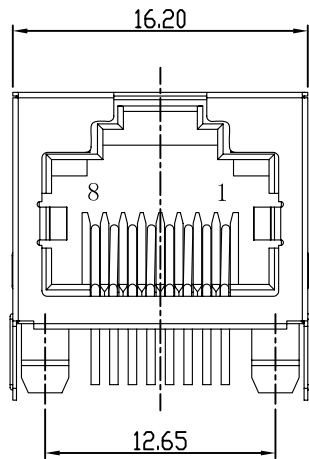
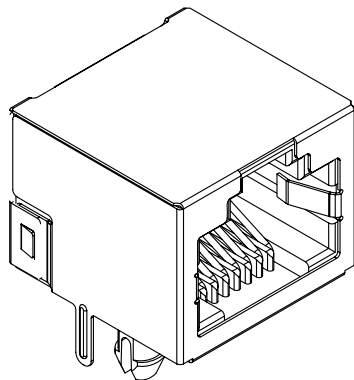


REV.	ECN.NO.	NAME	DATA
A0	NEW	MIN-D	2020-05-22



Recommend PCB Layout
(Jack Top View)
TOLERANCES: ±0.05



SPECIFICATION NOTES:

ELECTRICAL:

- VOLTAGE RATING: 125 VAC RMS
- CURRENT RATING: 1.5 AMP
- CONTACT RESISTANCE: 30mΩ MAX.
- INSULATION RESISTANCE: 500MΩMIN. AT 500V DC.
- DIELECTRIC STRENGTH: 1000 VAC 50Hz 1MINUTE

MECHANICAL:

- HOUSING MATERIAL:
SEE PART NUMBER.
- CONTACTS: 0.46mm PHOSPHOR BRONZE, GOLD
PLATING OVER NICKEL
- SHIELD: 0.20mm THICKNESS COPPER ALLOY WITH
NICKEL PLATED.
- OPERATING LIFE: 750 CYCLES MIN.
- MATING FORCE: 22N MAX.
UNMATING FORCE: 22N MAX.
- Wave soldering Temp: 235°+/-5°

ENVIRONMENTAL:

- STORAGE: -40°C TO +85°C
- OPERATION: -40°C TO +85°C

PART NUMBER:

5J-XX 88 X X X 5-A

1x1: 11
1x1: 12
1x3: 13
1x4: 14
1x6: 16
1x8: 18

Fu" : 1
1u" : 2
3u" : 3
6u" : 4
15u" : 5
30u" : 6
50u" : 7

Plating
电镀

A: 无 LED B: 左黄/右绿
C: 左绿/右黄

0: w/o shield 无外壳 无灯
1: w/o shield 无外壳 带灯
2: w/ shield 有外壳 带灯带EMI
3: w/ shield 有外壳 带灯无EMI
4: w/ shield 有外壳 无灯带EMI
5: w/ shield 有外壳 无灯无EMI

Material
材质
A: PBT
B: PA66
C: PA46

MM (INCH)		绘图 (Designed) MIN-D 2020-05-22
公差 TOLERANCES		审核 (Checked)
MM .0 ± 0.20 .00 ± 0.15 .000 ± 0.075	MM .0 ± 0.38 .00 ± 0.25 .000 ± 0.15	批准 (Approved)
角度 (ANGLES) ± 1.5°		材料 (Material) SEE NOTES
第三视图		比例 (SCALE) 1:1

XWJ 东莞市欣旺久电子有限公司
XIN WANG JIU Electronics Co.,Ltd

系列 (SERIES) RJ 名称 (NAME) XWJ-5J 8P8C 全包 无灯无EMI

图号 (DWG NO.): 料号 (PART NO): 5J-XX88XX5-A 版本 REV. A0
单位 (UNIT): MM 共 (SHEET) 1 页 第 (OF) 1 页